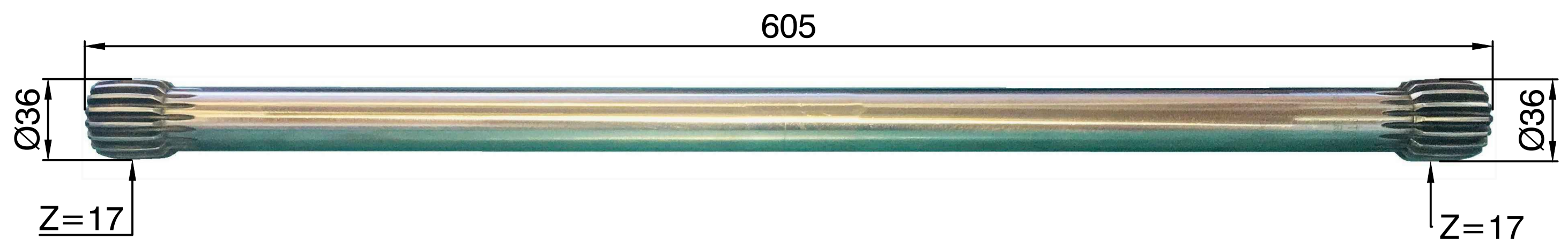
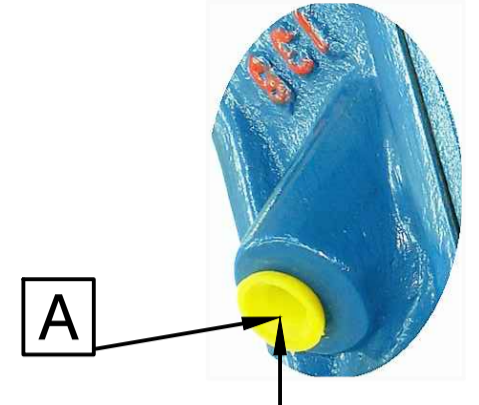


Transmission Model
SCANIA GRSO 905
SCANIA GRSO 905 R

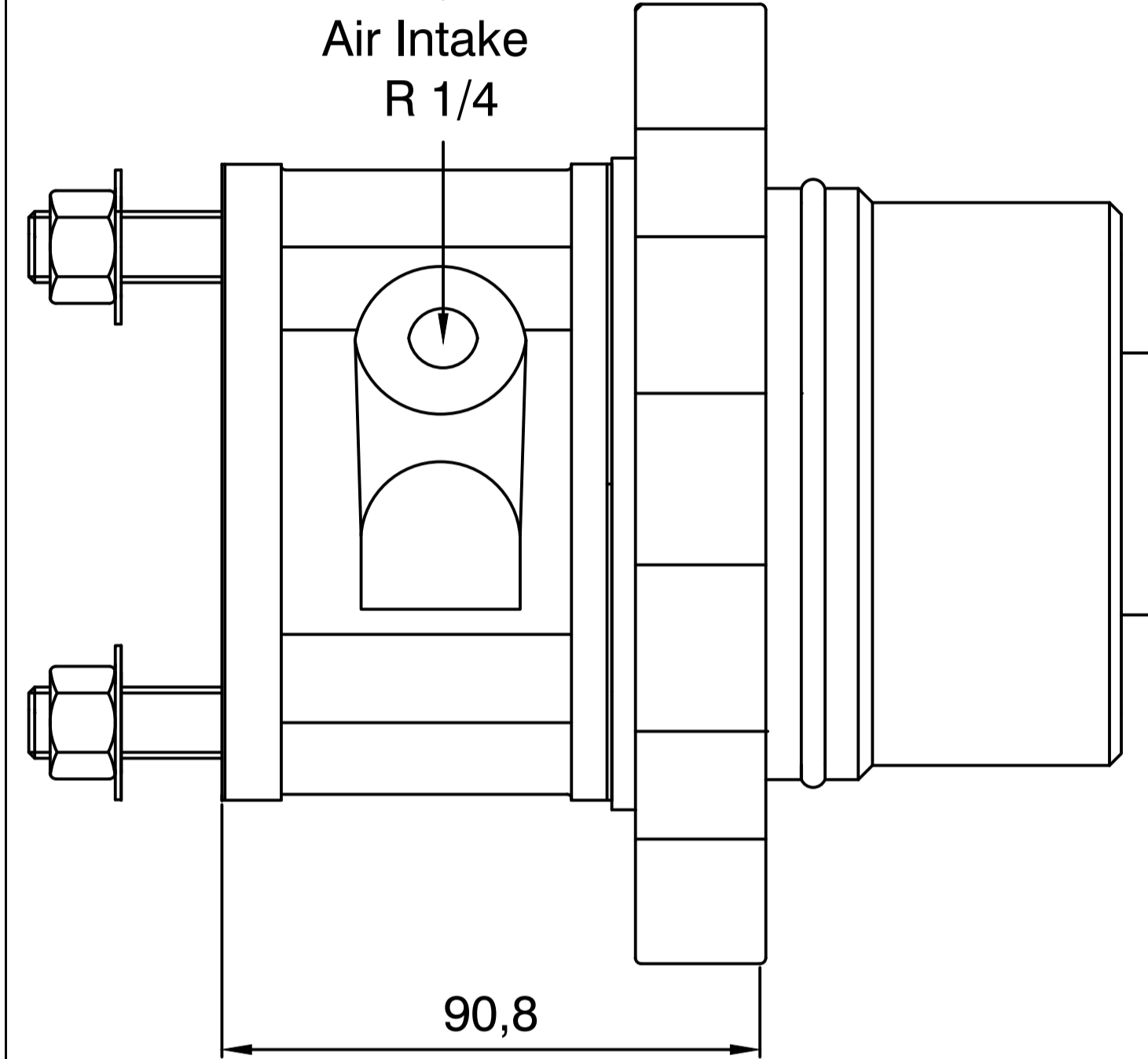
PTO Code	318AC2F
Gear Type	Left Helix
PTO Type	Double PTO
Torque Nm	400
Power Kw	36
Output Ratio 1000 Rpm	1:1,00
PTO Mounting Location	Right Side And Rear Connection
PTO Control System	Pneumatic
PTO Shaft Rotation	Left (Counter-Clockwise)
Pump Shaft Rotation	Right (Clockwise)
Weight Kg	21,00



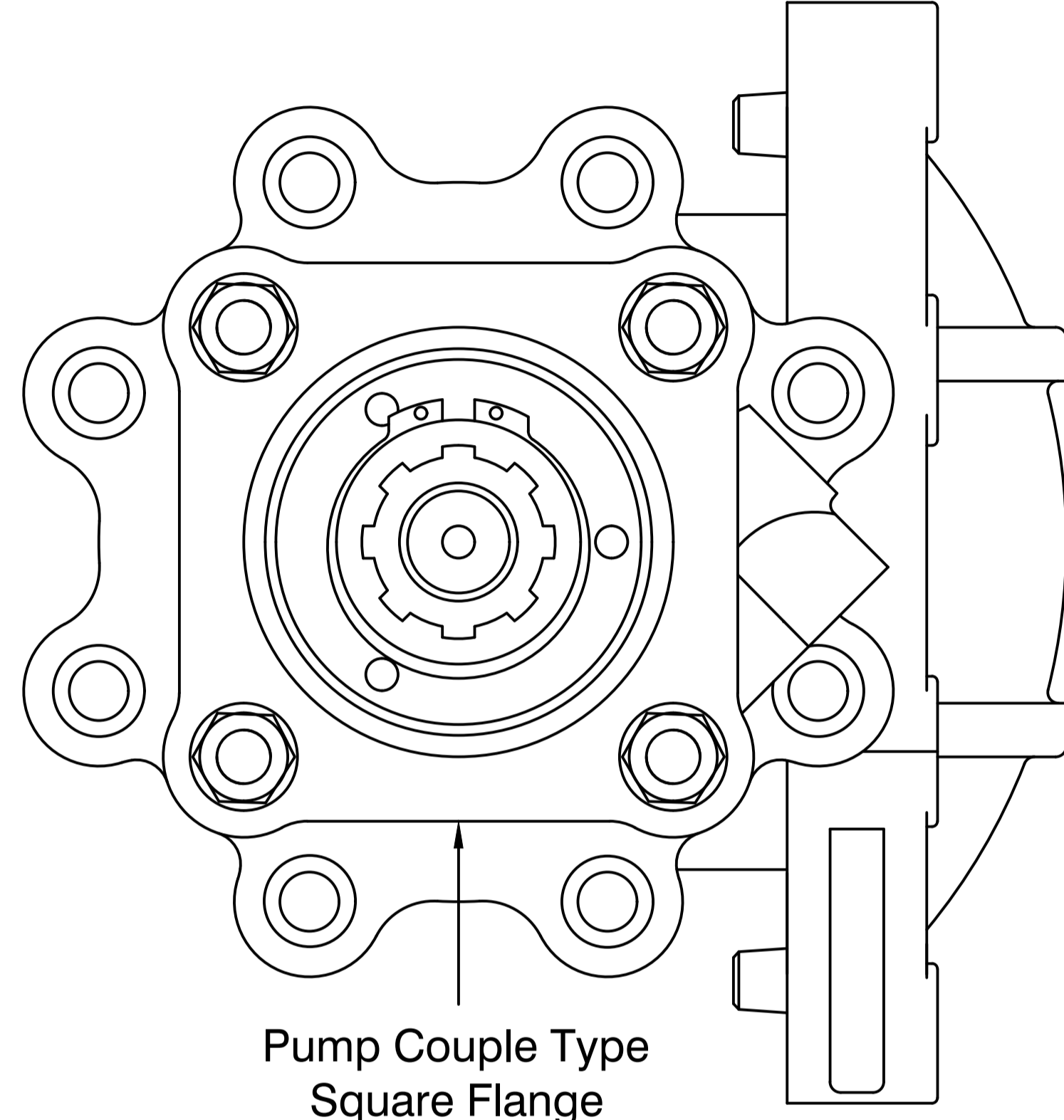
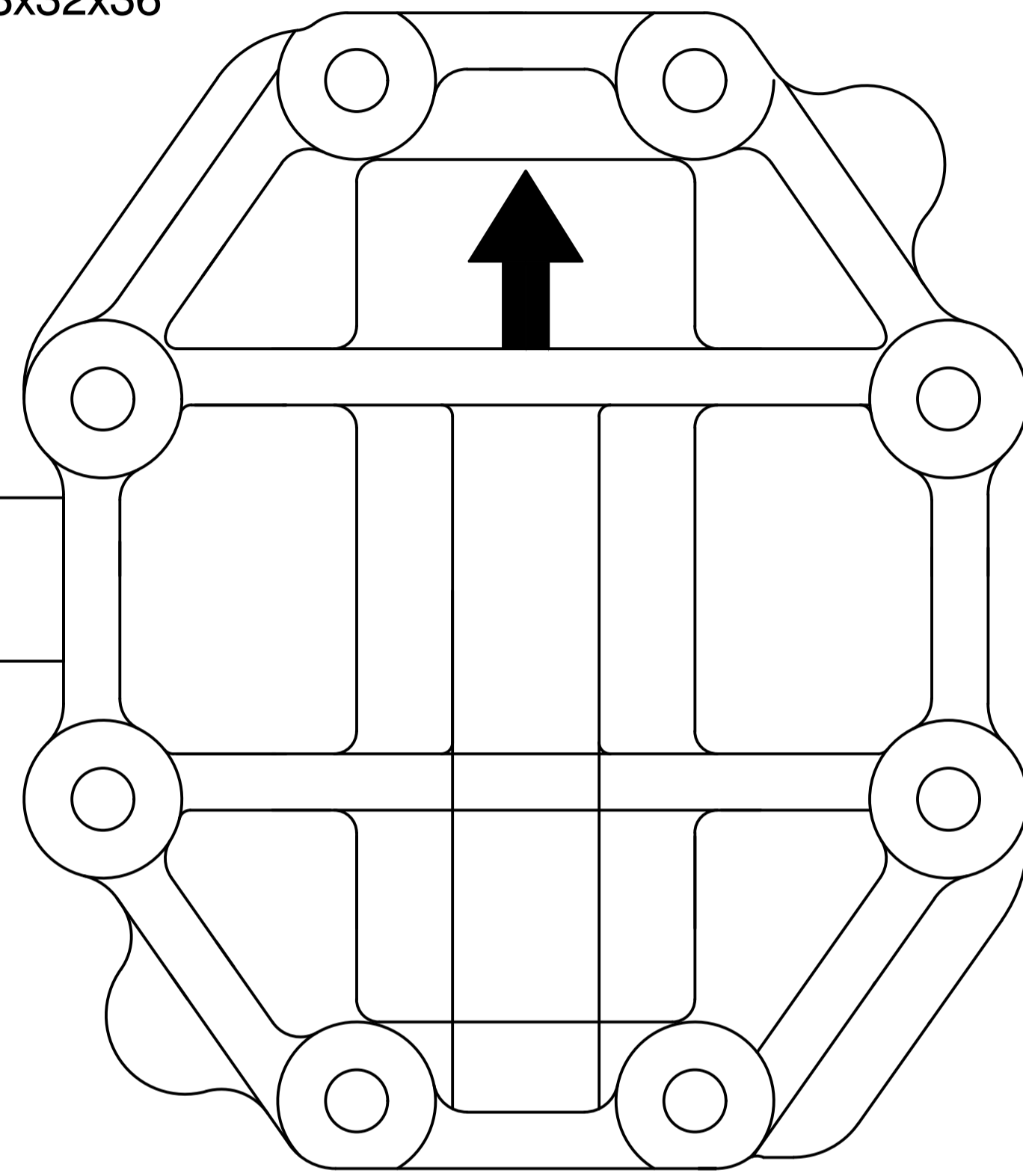
Product Code Detail
3 1 8 A C 2 F
 Cardan Shaft
 Square Flange / ISO 14 / DIN 5462 / 8x32x36
 Coupled
 Pneumatic
 Product Code System Number



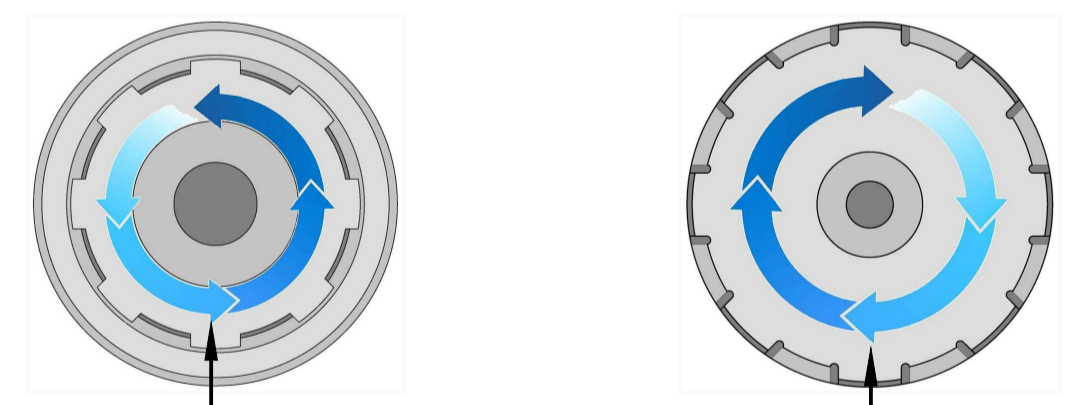
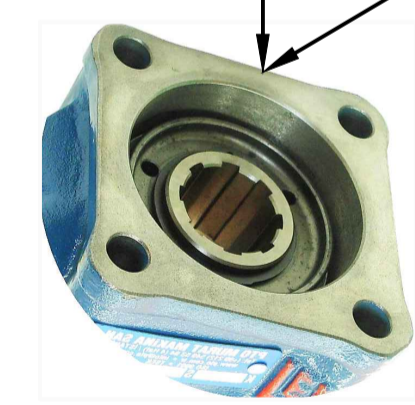
Air Intake
R 1/4



K277A022
Kardan Shaft

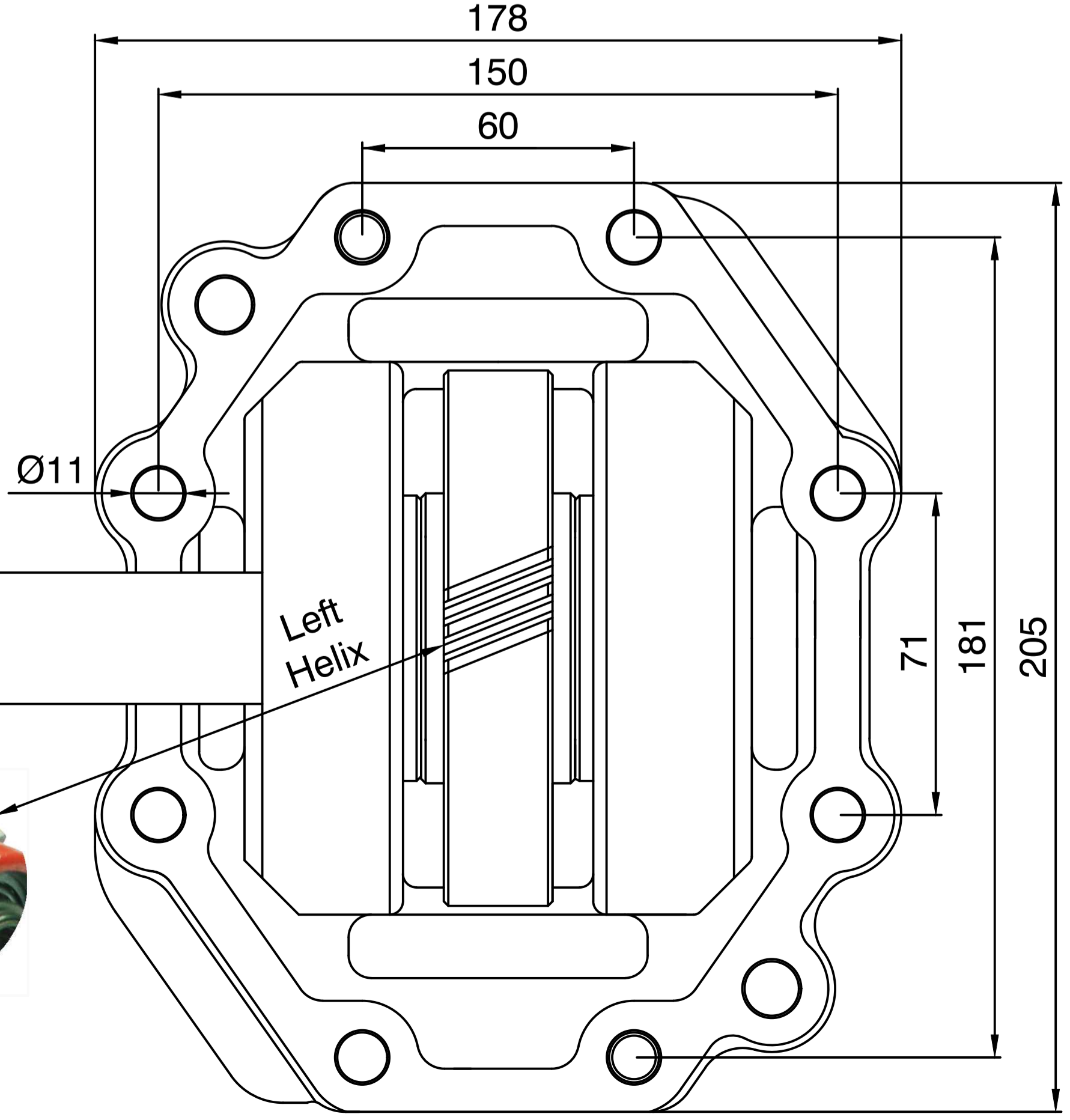
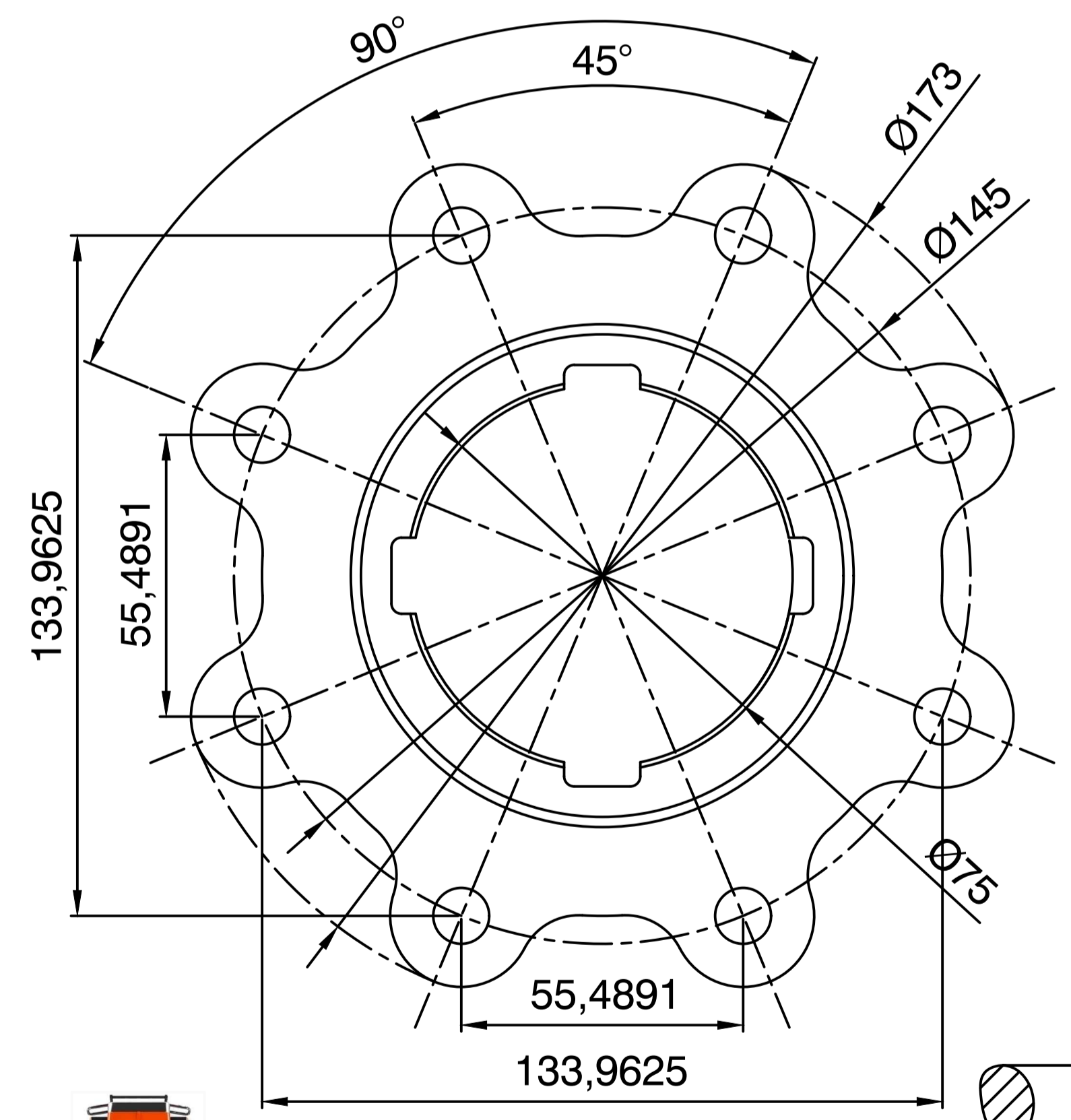


Pump Couple Type
Square Flange
Type PTO

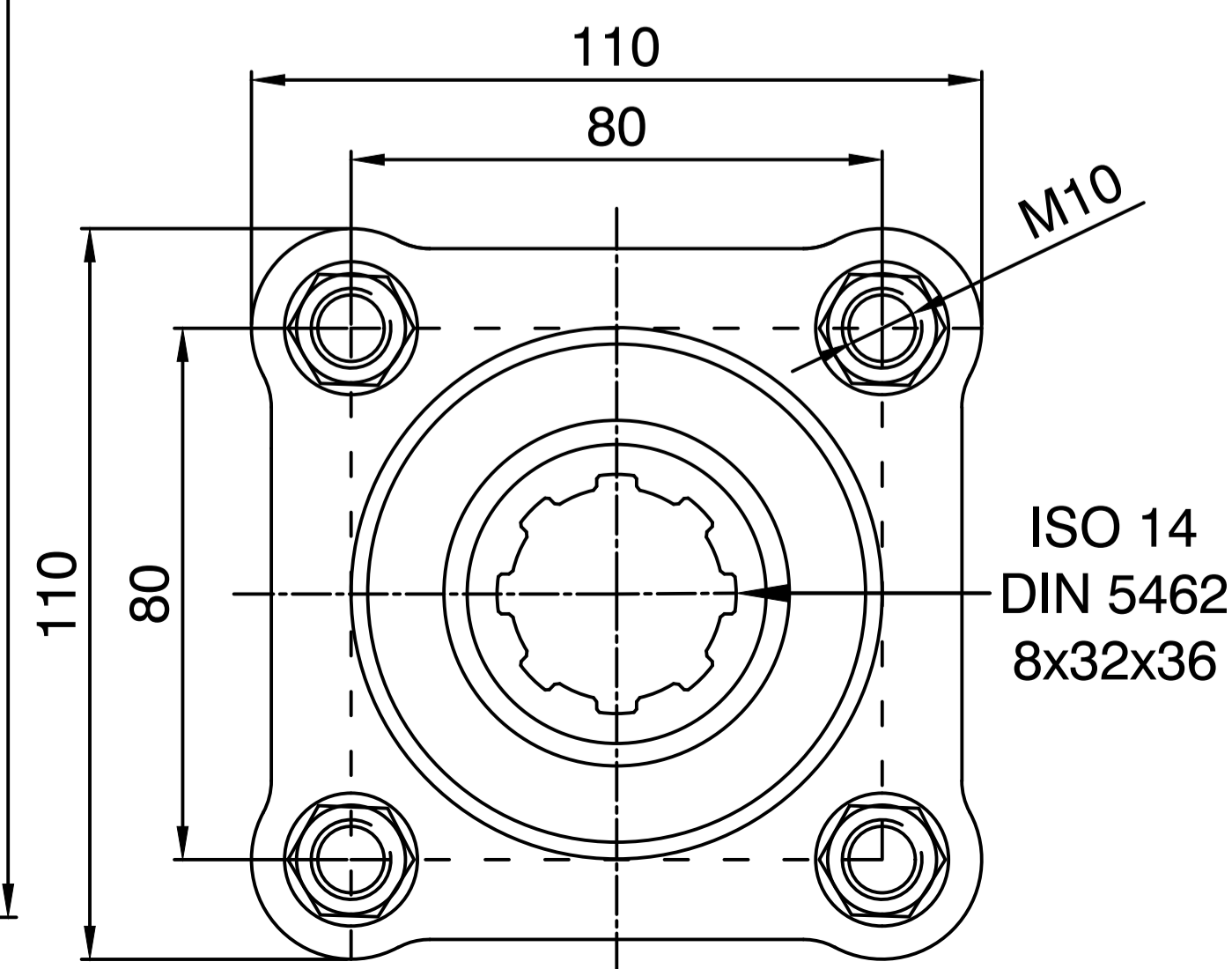


PTO
Shaft Rotation
Left
(Counter-Clockwise)

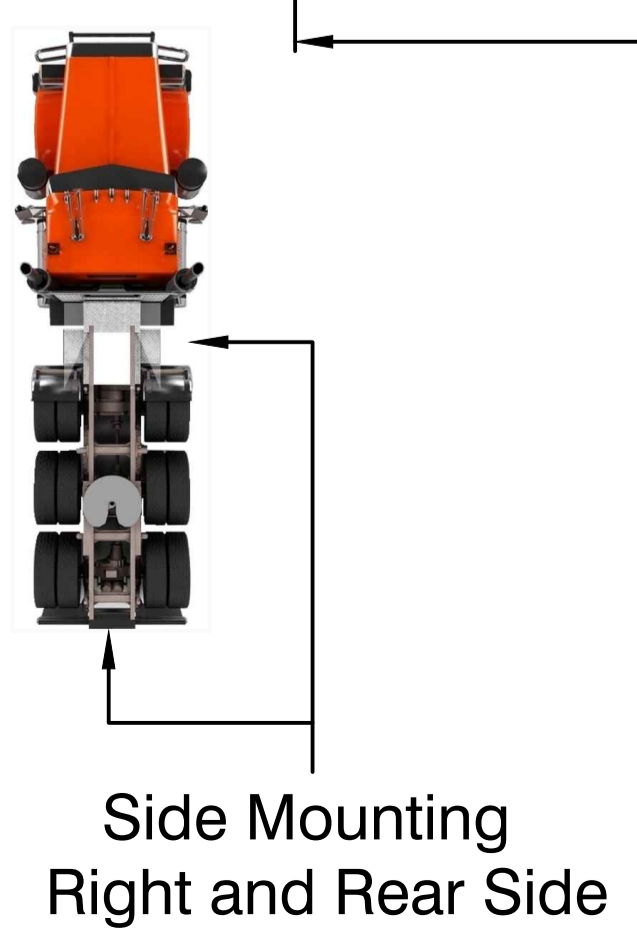
PUMP
Shaft Rotation
Right
(Clockwise)



Left
Helix



ISO 14
DIN 5462
8x32x36



Side Mounting
Right and Rear Side